

# ELEVATE AIR

## Open USB-C Charging Cart



## AIR-KIT32 Upgrade Kit Installation

### Version A

#M00018

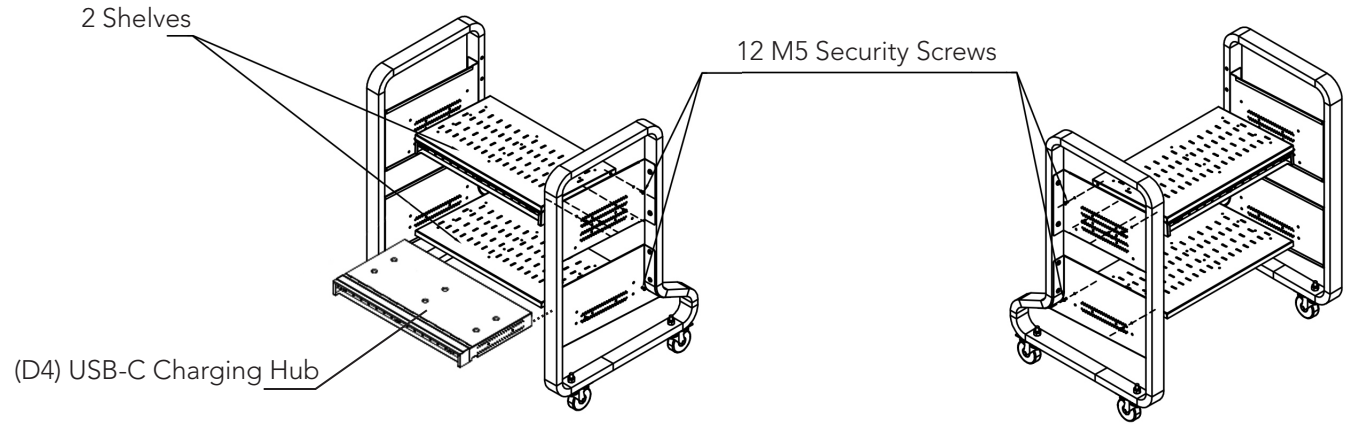
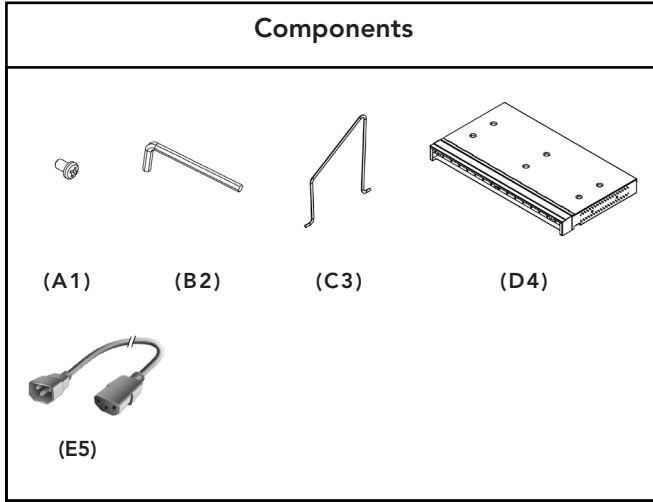
Last Modified 04/04/2023

For a copy of the most up-to-date manual, please contact a JAR Systems representative or visit:

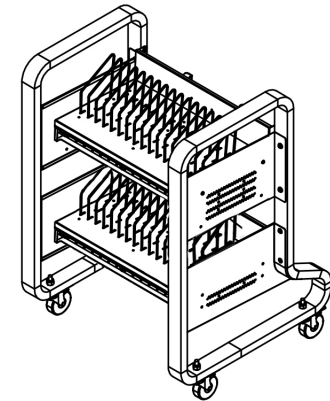
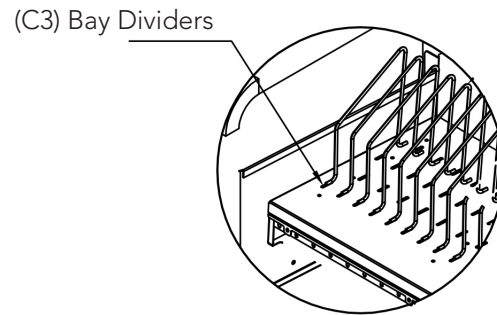
[JAR-Systems.com/Support](https://www.jar-systems.com/Support)

Page intentionally left blank.

# Installation Instructions



**1:** Using the T25 Torx key (H8), **loosen, but do not remove**, the 2 security screws securing each shelf and the top USB-C charging hub to the side panels on each side of the cart (12 screws total). Install the USB-C hub (D4) below the bottom shelf OR below the top charging hub using 2 security screws (A1) on each side. Installing the hub below the top shelf provides top-down cables. Installing the hub below the bottom shelf provides extra space for larger devices. Fully tighten the 16 screws securing the shelves and hubs with the Torx key hand tool.



**2:** Insert the bay dividers (C3) into the bottom shelf. See page 4 for bay configuration options.

**3:** Connect the short power cable (E5) from the top hub to the bottom hub. Connect external power cable to the back of the top hub.

# Quick Start

1. Connect cart to power source
2. Plug in powered down devices
3. Connected devices will automatically charge as efficiently as possible
4. Connect/disconnect devices any time

## LED Charging Port Indicator Lights

- White: Port Ready
- Blue: Device Charging
- Green: Charge Level >90%



# Normal Operation

- Plug the power cable into a standard 15A outlet. LEDs will illuminate white to indicate the cart is connected to a power source.
- Power off devices fully before connecting them to the cart for charging.
- Connect the devices to the USB-C charging cables. Ensure that devices are placed in the cart so that the charging ports are as close as possible to the USB-C charging port on the cart. **Incorrectly connecting devices can strain the cable over long periods of time and lead to damage.**
- You may hear a clicking sound, and the LED lights will change color according to the power draw of the attached devices.
- The system will automatically limit power consumption by turning some of the USB-C ports off temporarily. Refer to the device for the level of charge. Connected devices will charge as fast and evenly as possible, up to 65W, without drawing too much power.
- To remove devices from the carts with the greatest level of charge first, disconnect devices with the green LEDs first before you disconnect devices with the blue LEDs.
- Devices that do not feature a USB-C charging port can be charged using USB-C emulator cables. (Not Included, contact JAR Systems for more info)



## USB-C Emulator Cables



# Trouble-Shooting

## Always start troubleshooting with a simple reboot

Unplug and replug the power cord. When the cart is connected to power, the LEDs will change color based on the power draw of connected devices (see light indication).

## Single Port or Device Issue

Ensure that both of the USB-C cable ends plug into the cart and the device correctly.

If there is still no charge, disconnect the device from that port (A) and plug into another port (B). If it is still not charging, it may be an issue with the device.

If charging begins when using port (B), exchange the cable from port (B) to port (A). If it begins to charge, the cable (A) is defective and will need to be replaced.

## Entire Charging Hub/Shelf Issue

Check the back of the charging hub to see if the cart's power cable is plugged in and connected correctly.

**MC-4032-AIR ONLY:** Ensure that the power cable connecting the top hub to the bottom hub is plugged in correctly.

When the cart is powered back on, the LED lights will begin to illuminate.

## Remove/Replace USB-C Cables

Each cable lock may be secured with up to three screws. Remove all screws with the supplied Torx key. Remove the cable lock. Unplug the cables from the USB-C ports and route them through the cable track. Reverse the process to replace a cable.



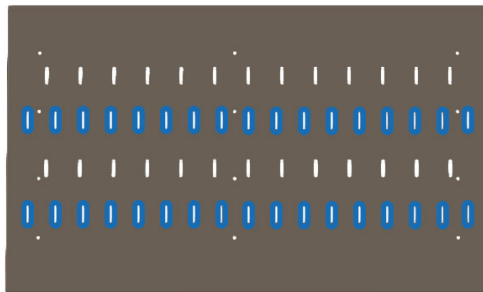
## Adjusting Device Bay Dividers

Elevate carts feature adjustable device bays with multiple configuration options. Use the guides below to determine which hole pattern to use.

To remove dividers, push in and upward on the front of the divider and guide it out of the slot in the tray. To install the dividers, simply place the tall side of the divider into the rear slot first, then push in and downward to get the other side into the front slot.

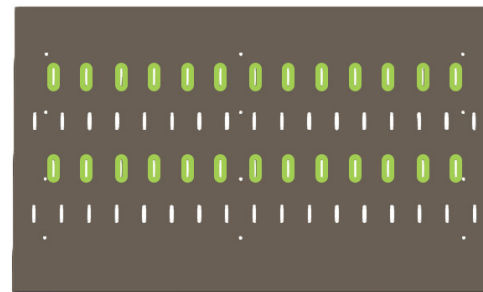
### 16 DEVICE PATTERN

Best for devices up to 1" wide.



### 12 DEVICE PATTERN

Best for devices up to 1.25" wide.



# Warnings

- Power down all devices prior to connecting them to the hub for charging.
- Keep away from moisture and harsh chemicals. Do not place any liquids near the charging cart.
- Any electrical equipment must be used by an adult or with adult supervision.
- Do not connect unsupported items to the charging cart or use for any purpose other than its intended use.
- Do not attempt to obstruct any ventilation openings or dismantle, open, or modify the system in any way.
- Do not sit or stand on the cart or charging hubs.
- Do not use an extension cable or daisy-chain to any other devices.
- Not intended for operation at altitudes greater than 2000 m or 6561 ft above sea level and should not be operated in extreme temperatures. For indoor use only.

# Disclaimer

Failure to read, thoroughly understand, and follow all instructions can result in serious personal injury, damage to equipment, or voiding of factory warranty. Since the use of this information, the equipment connected, and the conditions by which any JAR Systems product is used is beyond the control of JAR Systems, it is the obligation of the owner and/or user to determine the correct and safe use of any equipment and product. To the extent that the law permits, any liability which may be incurred as a result of the use or future use of a product manufactured or sold by JAR Systems is limited to the cost of repairing or replacing the failed product or component at the discretion of JAR Systems either within, or outside of warranty periods, and does not extend to any loss or damage which may be caused as a consequence of misuse or failure of the equipment, product or the information contained herein. JAR Systems shall not in any event be liable for economic loss of profits, indirect, special, bodily injuries or consequential damages. Specifications and images are for illustration purposes only. Final product may differ and is subject to change without notice.

JAR SYSTEMS

# Warranty

This product comes with a warranty that covers any defects in material or workmanship and extends to the original consumer of the product only. JAR Systems, LLC will replace the product with a new or refurbished product, repair the product, send replacement parts, or refund the purchase price of the product, at JAR Systems, LLC's discretion. This warranty does not cover accidental damage, unreasonable use, neglect, tampering or other causes not arising from defects in material or workmanship.

Any implied warranties last only as long as the warranty periods listed above except where state law does not allow limitations on how long an implied warranty lasts. This includes but is not limited to the implied warranties of merchantability and fitness. JAR Systems, LLC's responsibility is limited to the actions listed above and nothing else.

This warranty does not cover, and JAR Systems, LLC will not be responsible for, any damages due to loss of use of the product, or any other costs or expenses incurred by you or anyone else who uses the product, whether due to defects, breach of contract, negligence, strict liability or otherwise. JAR Systems is not liable for any indirect, special, incidental or consequential damages related to the product or this warranty. Some states do not allow exclusions or limitations on consequential or incidental damages, so these limitations or exclusions may not apply.

This warranty gives you specific legal rights and you may also have other rights that vary from state to state. This warranty is governed by the laws of Florida, excluding its conflict of laws principles, unless your state requires that its law be used.

Contact JAR Systems for information on the length of warranty on your product(s).



## Explore more options for USB-C Charging!

Learn about ways to charge devices in growing technology landscapes. Contact a JAR Systems representative at 866.393.4202 or visit:

[JAR-Systems.com/Products](https://JAR-Systems.com/Products)